

COMBi-CS 1000

Counter-balanced Stacker

Equipped with our patented multi-position tiller arm the Combi-CS offers safer operation, maximum operator visibility and narrow aisle performance.

COMBiLiFT

LIFTING INNOVATION

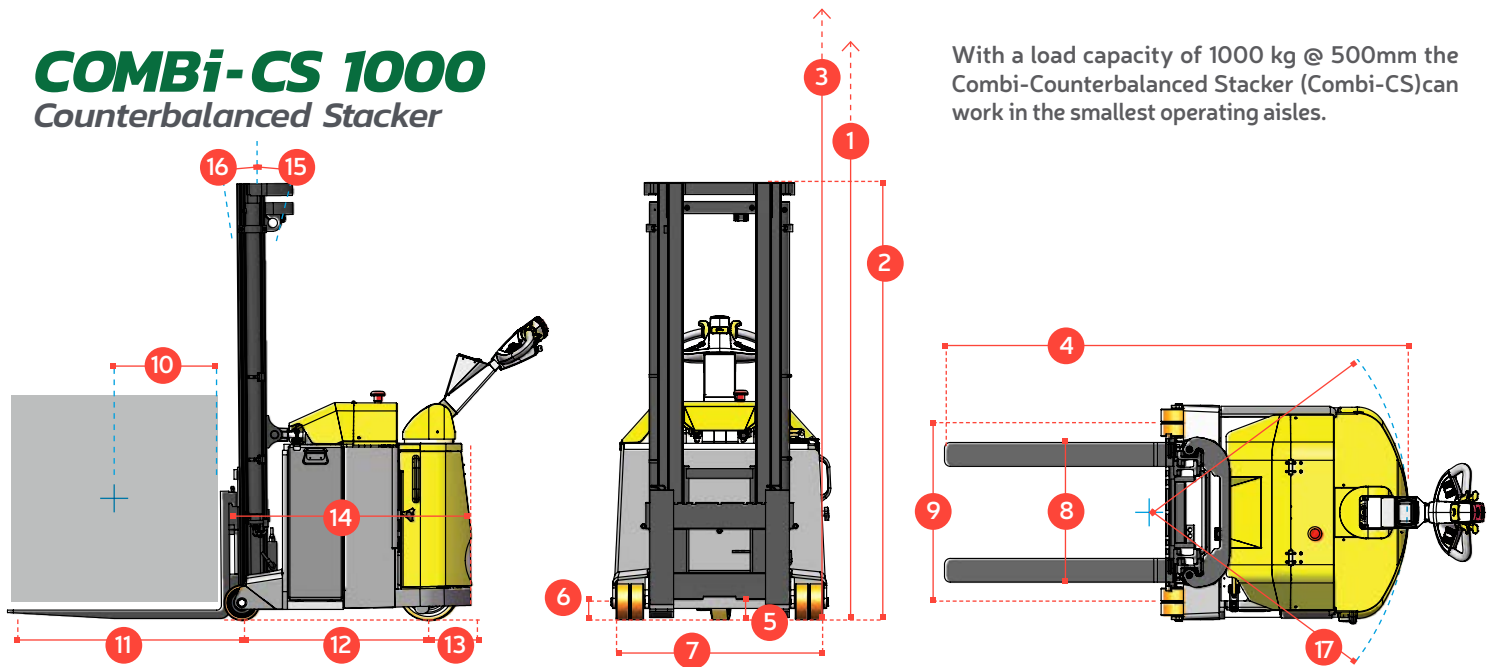


Patented Multi-Position
Tiller Arm



COMBI-CS 1000

Counterbalanced Stacker

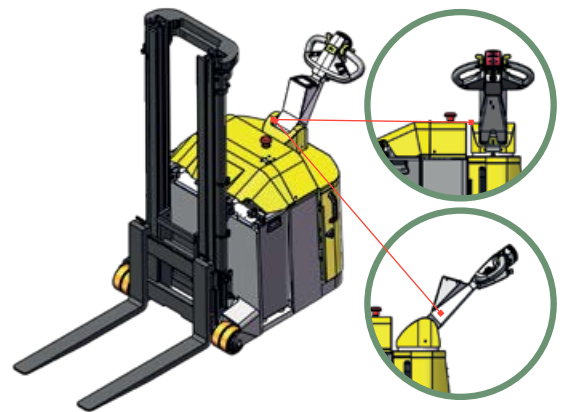


With a load capacity of 1000 kg @ 500mm the Combi-Counterbalanced Stacker (Combi-CS) can work in the smallest operating aisles.

REF.	DESCRIPTION	Standard
1	Max. Lift Height	2500 mm
2	Height Mast Closed	1875 mm
3	Max. (Mast raised)	3150 mm
4	Overall Length	2000 mm
5	Ground Clearance Under Mast	80 mm
6	Ground Clearance to Centre of Wheelbase	50 mm
7	Width	890 mm
8	Outside Spread of Fork Arms	620 mm
9	Track Front	745 mm
10	Load Centre Distance	500 mm
11	Overhang Front	1035 mm
12	Wheelbase	790 mm
13	Overhang Back	175 mm
14	Length From Face of Fork	1050 mm
15	Fork Backward Tilt	5°
16	Fork Forward Tilt	2°
17	Minimum Outside Radius	965 mm
A	Capacity	1000 kg
B	Unladen Weight	2300 kg
C	Maximum Ground Speed	6 km/h
D	Gradeability	5%
E	Battery Capacity	24 V / 375 Ah
F	Fork Section	35 mm x 100 mm x 950 mm
G	Front Tyre (Polyurethane)	OD 150 mm / Width 55 mm
H	Rear Tyre (Vulkollan)	OD 250 mm / Width 75 mm
I	Standard Colour	Yellow & Grey
J	AC Electric Traction Motor	24 V / 2.5 kW
K	AC Electric Pump Motor	24 V / 5 kW

Superior safety with Combilift's patented Multi-Position Tiller Arm

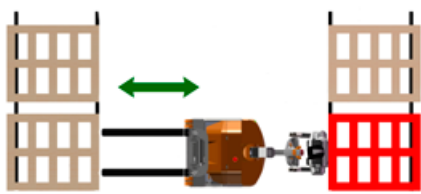
The tiller can be turned to the left or right to allow the operator to remain at the side. This enables full visibility of the load and forks, while maintaining full steering control, providing greater awareness of the surroundings for enhanced overall safety.



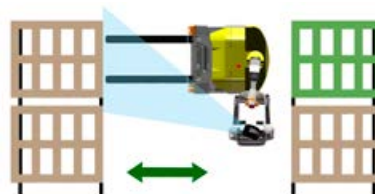
Features Include:

- Power Steering
- AC Motor Technology
- Rear Wheel Drive
- Patented Multi-Position Tiller Arm

Without Combi-CS



Using Combi-CS



Standing to the side of the stacker eliminates the risk of being trapped or crushed while allowing the Combi-CS to operate in very narrow aisles.

Australian Patent No. 2012389283; Australian Patent Application No. 2018211281; Brazilian Patent Application No. BR 112015004680.0; Brazilian Patent Application No. BR 12 2019 000297 5; Canadian Patent Application No. 2,883,909; Canadian Patent Application No. 3,027,871; Chilean Patent Application No.00539-2015; Chinese Patent Application No. 2012800761891; Chinese Patent Application No. 2017110336099; Colombian Patent No. 31049; European Patent No. 2892841; German Patent No. 60 2010 037 116.6; HK Patent No. HK1211278; Indian Patent Application No. 623/MUMNP/2015; Indian Patent Application No. 201828047539; Mexican Patent No. 355175; New Zealand Patent No. 706083; Russian Patent No. 2619405; U.S. Patent No. 9,586,797; South African Patent No. 2015/01576

COMBILIFT HAS A POLICY OF CONTINUOUS PRODUCT DEVELOPMENT AND RESERVES THE RIGHT TO ALTER SPECIFICATIONS WITHOUT PRIOR NOTICE. SPECIFICATIONS AND/OR DIMENSIONS MAY VARY FROM THOSE ILLUSTRATED IN SOME COUNTRIES.